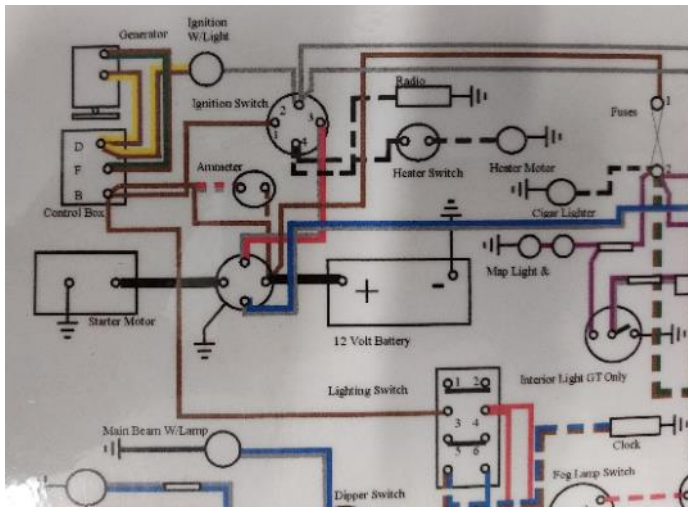
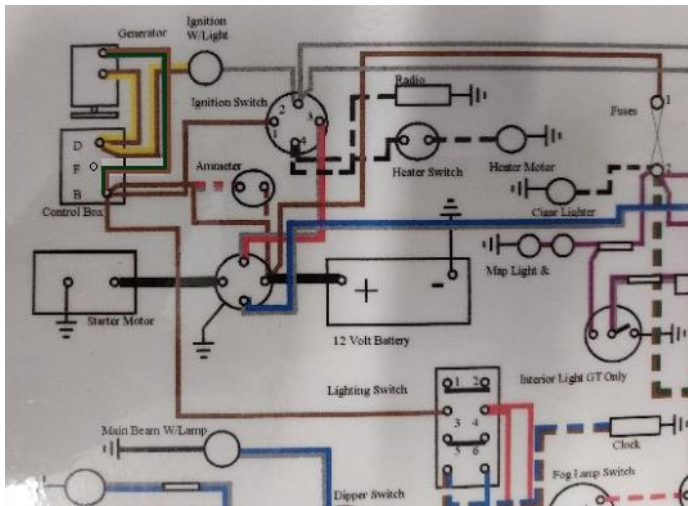


Original dynamo wiring:



Dynator wiring retaining control box (move wires from F post to B post on control box):



Dynator wiring eliminating control box:

