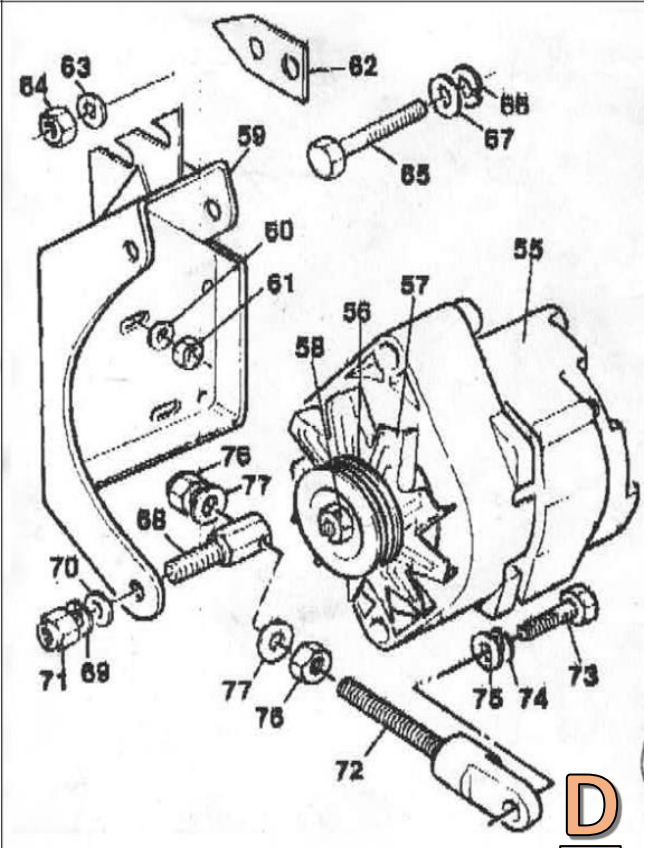
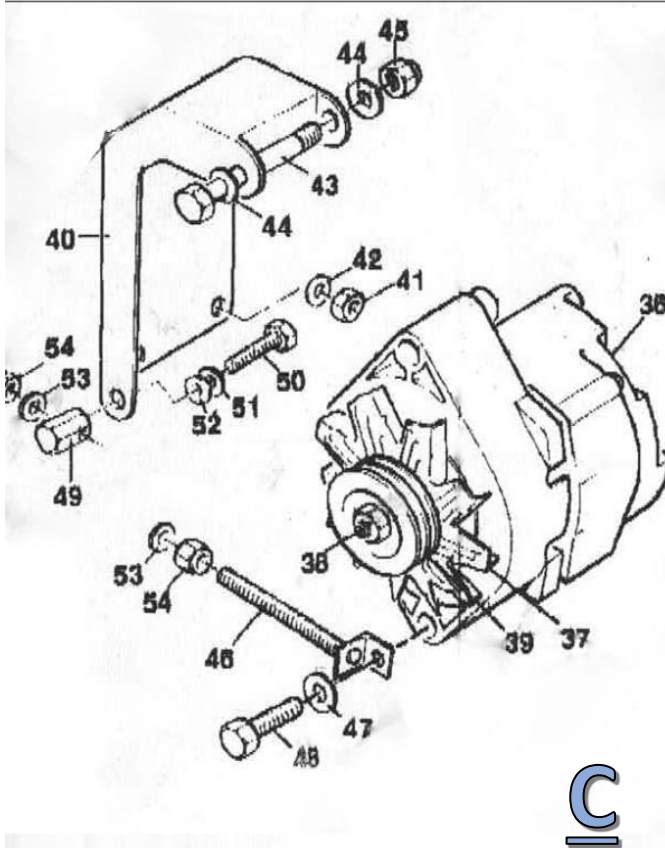
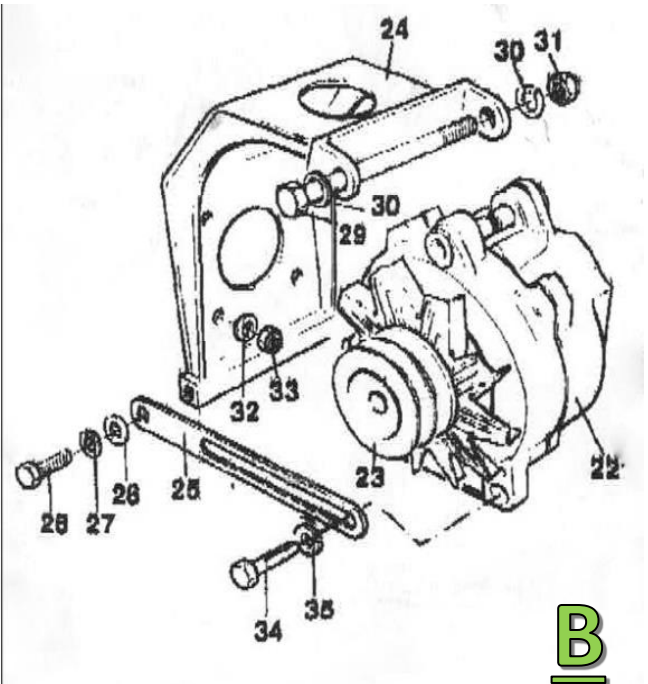
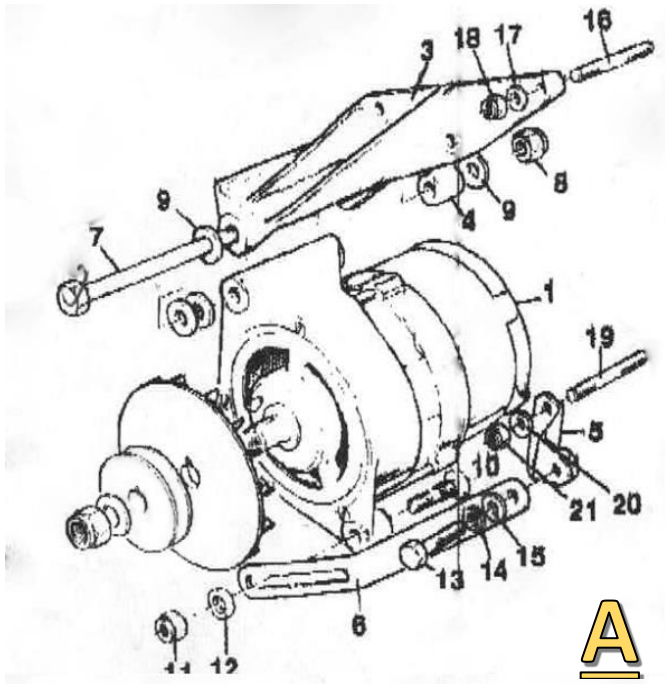


WOSP Aston Martin V8 Alternator Replacements

At WOSP we offer a wide range of Aston Martin V8 Alternators to cover the different types and setups originally produced. These can be found in the page below following the reference images in the picture below



NOTE:

Early Aston Martin DBS Models had an externally regulated 11AC Alternators which are replaced by our LMA012-80



WOSP SKU	Name	Ref#	Connections	Pulley	Amp	Hand	Lugs	Kg	RRP
LMA001-AC5-10	Aston Martin Vantage V8 'Early' 95A Alternator (10V) (CAV AC5 replacement)	A	B+ / Lamp	LMP001	95A	180°	2	5.2	£ 345.00
LMA001-AC5-13	Aston Martin Vantage V8 'Early' 95A Alternator (13V) (CAV AC5 replacement)	A	B+ / Lamp	LMP124	95A	180°	2	5.2	£ 345.00
LMA001-AC5-17	Aston Martin Vantage V8 'Early' 95A Alternator (17V) (CAV AC5 replacement)	A	B+ / Lamp	LMP033	95A	180°	2	5.2	£ 345.00
LMA475-LO-10V	Aston Martin Vantage V8 'Early' 120A Alternator (10V) (CAV AC5 replacement)	A	B+ / Lamp	LMP001	120	180°	2	5.3	£ 465.00
LMA475-10V	Aston Martin Vantage V8 'Early' 175A Alternator (10V) (CAV AC5 replacement)	A	B+ / Lamp	LMP001	175	180°	2	5.3	£ 495.00
LMA475-MHO-10V	Aston Martin Vantage V8 'Early' 250A Alternator (10V) (CAV AC5 replacement)	A	B+ / Lamp	LMP001	250	180°	2	5.3	£ 645.00
LMA475-HO-10V	Aston Martin Vantage V8 'Early' 320A Alternator (10V) (CAV AC5 replacement)	A	B+ / Lamp	LMP001	320	180°	2	5.3	£ 745.00
LMA475-LO-13V	Aston Martin Vantage V8 'Early' 120A Alternator (13V) (CAV AC5 replacement)	A	B+ / Lamp	LMP124	120	180°	2	5.3	£ 465.00
LMA475-13V	Aston Martin Vantage V8 'Early' 175A Alternator (13V) (CAV AC5 replacement)	A	B+ / Lamp	LMP124	175	180°	2	5.3	£ 495.00
LMA475-MHO-13V	Aston Martin Vantage V8 'Early' 250A Alternator (13V) (CAV AC5 replacement)	A	B+ / Lamp	LMP124	250	180°	2	5.3	£ 645.00
LMA475-HO-13V	Aston Martin Vantage V8 'Early' 320A Alternator (13V) (CAV AC5 replacement)	A	B+ / Lamp	LMP124	320	180°	2	5.3	£ 745.00
LMA475-LO-17V	Aston Martin Vantage V8 'Early' 120A Alternator (17V) (CAV AC5 replacement)	A	B+ / Lamp	LMP033	120	180°	2	5.3	£ 465.00
LMA475-17V	Aston Martin Vantage V8 'Early' 175A Alternator (17V) (CAV AC5 replacement)	A	B+ / Lamp	LMP033	175	180°	2	5.3	£ 495.00
LMA475-MHO-17V	Aston Martin Vantage V8 'Early' 250A Alternator (17V) (CAV AC5 replacement)	A	B+ / Lamp	LMP033	250	180°	2	5.3	£ 645.00
LMA475-HO-17V	Aston Martin Vantage V8 'Early' 320A Alternator (17V) (CAV AC5 replacement)	A	B+ / Lamp	LMP033	320	180°	2	5.3	£ 745.00
LMA019	No Alternative	B	N/A	N/A	N/A	N/A	N/A	N/A	N/A
LMA063	Aston Martin V8 'Efi' 105A Alternator (2 x spades)	C	B+ / S / L	LMP067	105A	180°	2	6.4	£ 275.00
LMA010	Aston Martin V8 'Efi' 120A Alternator (4 Pin Plug)	D	B+ / P / L / F / S	LMP214	120A	180°	2	6.4	£ 275.00
LMA347-LO	Aston Martin V8 'Efi' 180A Alternator (4 Pin Plug)	D	B+ / IG / S / L / W	LMP037	180	180°	2	6.9	£ 465.00
LMA347	Aston Martin V8 'Efi' 240A Alternator (4 Pin Plug)	D	B+ / IG / S / L / W	LMP037	240	180°	2	6.9	£ 495.00
LMA347-HO	Aston Martin V8 'Efi' 390A Alternator (4 Pin Plug)	D	B+ / IG / S / L / W	LMP037	390	180°	2	6.9	£ 745.00



LMA001-AC5-10 LMA001-AC5-13

www.wosperformance.com

LMA063

LMA010

